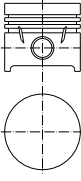
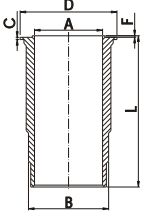
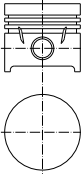
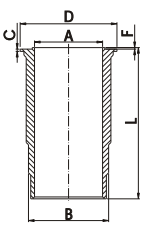


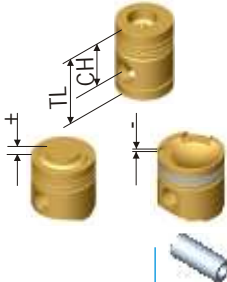



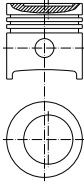
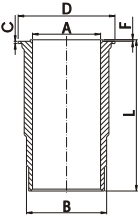
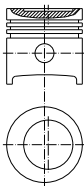
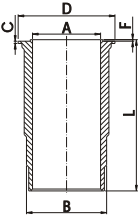
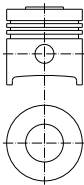
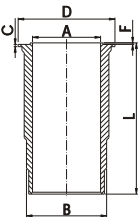



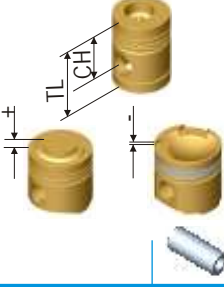




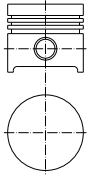
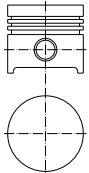
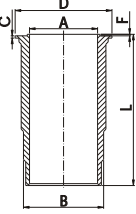
## RENAULT

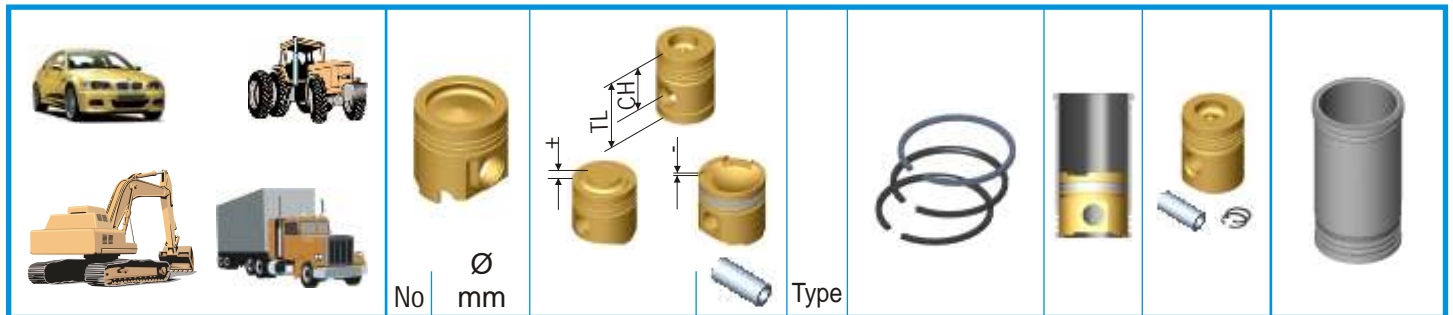
	No	Ø mm			Type				
<p><b>Benzin Motor:</b> C 1, 688 (C 1 J) 688.10/11/13, 1108 cm<sup>3</sup>, 9-9.25-9.5:1, RA GTL R1228 1978... R 4 FOURGON NETTA R 4 F 6 R 2370 1976... R4 BREAKLONG, R 2430 1976...1978 R 5 TL/GTL/AUTOMAT R 1397-R 1227-R 2387 1980... R 5 LAUREATE TL/GTL R 1227-R 1397 1984... R 5 SOCIETE R 2387 1980... RGL/TL R 1181 (6 CV) 1976...1980 RODEO 6 AC L 2B 1976... <b>Benzin Motor:</b> 688.10 9.25/9.5:1 RGL/TL R 1181 (6 CV) 1971...1 975 RODEO 6ACL 2B 1972...1975 <b>Benzin Motor:</b> 689.01/03, 688.02/06/09, 9:1 R 8 - R 8 MAJOR, R 1130, R 1132, R 8 S, R 1136 1969... R 10 1100, R 1190 1964... FLORIDE-CARAVALLE R 1131/1133 1962...</p>	4	70.00	40.00 68.00  	18.00 x 62.00		1.75 2.00 3.50	70.00	P 58010 00	 A=70.00 B=75.50 L=135.00 D=85.80 C=94.85
<p><b>Benzin Motor:</b> MOT 810 MOT 810.01/02/03/05/06 MOT 842.01, MOT 847.05/06 1289 cm<sup>3</sup>, 8.5:1 <b>Vehicle:</b> R 5 GTL, R 5 LS/TS R 5 SOCIETE R 12 L/TL/LN/TN R 12 TR/TS, R 15 TL/GTL</p>	4	73.00	37.50 62.50  	20.00 x 64.00		1.75 R CRP 2.00 TN P 4.00 C CRP	73.00	P 58020 00	 A=73.00 B=78.50 L=134.00 D=88.00 C=95.00

			No $\varnothing$ mm	Type			
--	---	---	---------------------	------	--	---	---

## RENAULT

<p><b>Benzin Motor:</b> 810 - 02, 1289 cm<sup>3</sup>, 40 KW (54 PS) <b>Vehicle:</b> R 12 TL, R 12 SW Part No.7700549632</p>	4	73.00	37.50 -3.40 62.50  	20.00 x 64.00	1.75 R CRP 2.00 TN P 4.00 C CRP	73.00	P 58022 00	 <p>A=73.00 B=78.50 L=134.00 D=88.00 C=95.00</p>
<p><b>Benzin Motor:</b> 810-05, 1289 cm<sup>3</sup>, 40 KW (54 PS) <b>Vehicle:</b> R 12 TL, R 12 SW Part No: 6000046226</p>	4	73.00	37.50 -1.60 62.50  	20.00 x 64.00	1.75 R CRP 2.00 TN P 4.00 C CRP	73.00	P 58024 00	 <p>A=73.00 B=78.50 L=134.00 D=88.00 C=95.00</p>
<p><b>Benzin Motor:</b> 810-01/02/03/10/C 7/F 7, 1289 cm<sup>3</sup>, 27-44 KW (37-60 PS), 8-8.5:1 <b>Vehicle:</b> R 5, R 6, R 10, R 12, R 1192, R 1170, R 1171, R 1337, R 2126, R 2136, R 2137 1969...1980</p>	4	73.00	37.50 0.20 62.70  	20.00 x 62.00	1.75 R CRP 2.00 T P 4.00 C CRP	73.00	P 58026 00	 <p>A=73.00 B=78.50 L=134.00 D=87.50 C=94.85</p>

	No	Ø mm			Type			
<b>RENAULT</b>								
<p><b>Benzin Motor:</b> MOT 129 00-145 00 MOT A 700, 1218 cm<sup>3</sup>, 9.3:1 <b>Vehicle:</b> R 14 L /TL/GTL/TS <b>Benzin Motor:</b> MOT 150 00-X 5 J, 1360 cm<sup>3</sup>, 9.3:1 <b>Vehicle:</b> R 14 TS/GTS/GTL</p>	4	75.00	40.20 65.20  	19.50 x 64.80		1.75 2.00 4.00	75.00 P 58030 00	
<p><b>Benzin Motor:</b> 847 00/01/05/20/21/ C-1 J/C- 2 J, 1397 cm<sup>3</sup>, 40-44-47-50-53 KW (54.5-60-64-68-72) PS, 9.25:1 <b>Vehicle:</b> R 5 TS-TX, R1229/GTL-GTS-TS-TSE- Automatique, Supercinç, B-C 402-403, R 9 GTL-TL-TLE-TSE-L 422 GTS-TS-TSE-Automatique L 423 R 11 GTL-TS-TSE-B/C 372 Automatique-B/C 373-Express R 12 (USA) TL-TS R 18 L-TL, R 1340 Break TL, R 1350-Socite, R 2350, Fuego TL-GTL, R 1360</p>	4	76.00	37.50 64.00  	20.00 x 64.00		1.75 R CRP 2.00 T P 4.00 C CRP	76.00 P 58040 00	 <p>A=76.00 B=80.60 L=134.00 D=90.20 C=95.00</p>



## RENAULT

	No	Ø mm			Type			
<b>Diesel Motor:</b> F8 M-A 700 862, 1596 cm <sup>3</sup> , 40.5 KW (55 PS), 22.5:1 <b>Vehicle:</b> R5, R9, R11  1983...1986	4	78.00	47.25	24.00	2.00 R CRP 2.00 T P 3.00 C CRP	78.00	P 58050 00	 A=78.00 B=81.00 L=149.00 D=83.50 C=4.50
			-1.50	x		78.25	P 58050 10	
			74.50	66.50		78.50	P 58050 20	
<b>Diesel Motor:</b> F 8 M-D 720/730, 1596 cm <sup>3</sup> , 40.5 KW (55 PS), 22.5:1 <b>Vehicle :</b> R 5, R 9, R 11  1985...	4	78.00	47.25	24.00	2.00 R CRP 2.00 T P 3.00 C CRP	78.00	P 58052 00	 A=78.00 B=81.00 L=149.00 D=83.50 C=4.50
			-1.50	x		78.25	P 58052 10	
			74.50	66.50		78.50	P 58052 20	