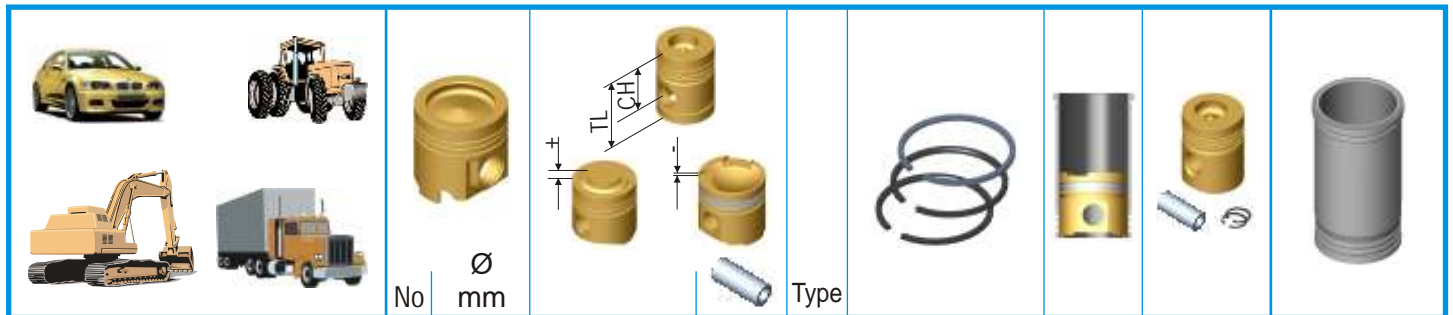


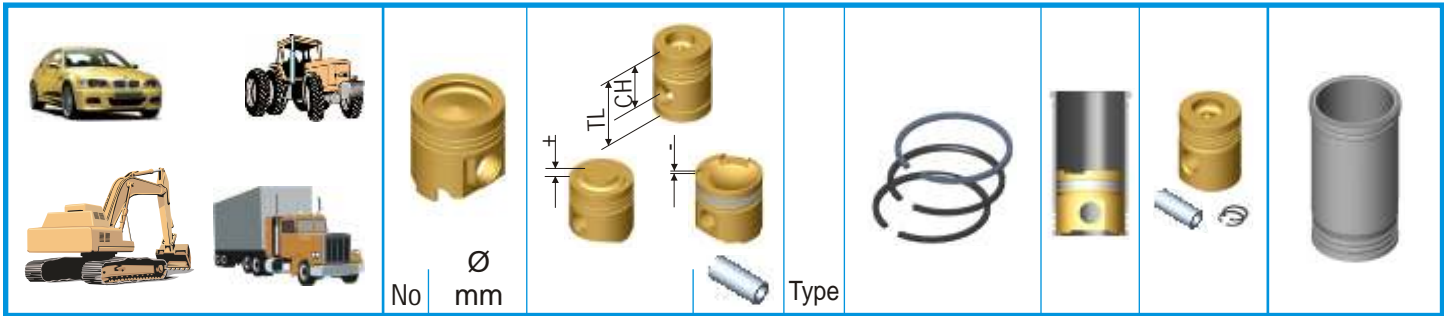
LISTER

	No	Ø mm		Type			
Diesel Motor: LT 1/2, Air Cooled	1	82.55	47.65	28.575 x 69.50	2.413 K 1.984 T 3.969 C 3.969 S	82.55	P 42010 00
	2		-12.70			83.05	P 42010 10
		83.058	83.55	P 42010 20			
Diesel Motor: SR 1/2/3/4, Air Cooled	1	88.90	65.008	29.369 x 76.00	3.200 K 2.381 T 2.381 T 3.969 S 3.969 S	88.90	P 42020 00
	2		-17.40			89.40	P 42020 10
	3		103.188			89.90	P 42020 20
	4						
Dieselmotor: ST Series, Air Cooled	1	95.25	65.151	33.338 x 79.20	3.175 K 2.381 T 2.381 T 4.762 C 4.762 S	95.25	P 42030 00
	2		-14.95			95.75	P 42030 10
	3		103.188			96.00	P 42030 20
	4						



LISTER

	No	Ø mm			Type			
Diesel Motor: HA-HB-HW	2	101.60	73.089	36.512 x 83.85		4.762 K	101.60	P 42040 00
	3		-21.26			3.175 T	102.10	P 42040 10
	4		127.00			3.175 T	102.35	P 42040 20
	6					4.762 S		
	6					4.762 S		
Diesel Motor: HRSW-HRS-HRS 6 Supercharged, Water Cooled	4	108.00	73.076	39.688 x 88.54	ST	3.969 K	108.00	P 42050 00
	6		-23.495			3.175 T	108.50	P 42050 10
			127.00			3.175 T	109.00	P 42050 20
						4.762 C		
						4.762 S		
Dieselmotor: HR-HR 4-HRW 4-6, HRS, HRS 6, Supercharged, Water Cooled	4	108.00	73.076	39.688 x 88.54	ST	3.969 K	108.00	P 42052 00
	6		-20.85			3.175 T	108.50	P 42052 10
			127.00			3.175 T	109.00	P 42052 20
						4.762 C		
						4.762 S		



LISTER

	No	Ø mm			Type			
Diesel Motor: 8/1, 16/2, Water Cooled	1	114.30	64.834	31.75	4.762 K 3.175 R 3.175 R 4.762 S	114.30	P 42060 00	
	2		137.16	x		114.80	P 42060 10	
				98.50		115.30	P 42060 20	
			